



DPS5000 SDI-12

Digital pressure sensing platform

The DPS5000 SDI-12 from Druck, part of the UNIK5000 family, offers integrated digital electronics to enhance the performance level of the UNIK 5000 Pressure Sensing Platform to levels unmatched by traditional analogue sensors. It uses SDI-12 protocol, over which fully compensated readings of pressure and temperature are sent, as well as control of many functions of the device.

High quality

With 50 years of pressure measurement experience, our field-proven Druck technology is at the heart of the new platform, resulting in a range of high quality, high stability pressure sensors.

Expertise

We have the people and the knowledge to support your needs for accurate and reliable product performance; our team of experts can help you make the right sensor selection, guiding you and providing the help and tools you need. It is important that you ensure that the sensor materials and performance selected are suitable for your application.

Features

- Ranges from 350 mbar to 70 bar
- Total accuracy to $\pm 0.1\%$ FS
- Stainless steel or titanium construction
- Wide temperature range $-40\text{ }^{\circ}\text{C}$ to $80\text{ }^{\circ}\text{C}$
- Low power
- Customer set filter setting
- Excellent long-term stability
- Customizable and reconfigurable output formats

DPS5000 SDI-12 specifications

Operating pressure ranges

Gauge ranges

Any zero based range from 350 mbar to 70 bar (6 to 1000 psi)

Absolute ranges

Any zero based range from 350 mbar to 70 bar (6 to 1000 psi)

Barometric ranges

Any upper range limit (URL) with a minimum span of 350 mbar (5 psi) between 700 mbar to 1300 mbar (10 to 18 psi)

Over pressure

2 × pressure range for barometric range

4 × pressure range for all other ranges

Containment pressure

6 × pressure range (200 bar (3000 psi) maximum)

Supply

Voltage: 6 Vdc to 30 Vdc

Current: <10 mA measure at 25 °C

15 mA peak

<50 µA standby

Output/communications

SDI-12 protocol V1.4

Power on time

1000 ms to acquisition from power on

Insulation resistance

>100 MΩ at 500 Vdc

Performance

Pressure performance

Accuracy over the calibrated temperature range including zero and span setting and the effects of non-linearity, hysteresis and repeatability

A3 Premium: ±0.1 % FS over -10 to 50 °C (14 to 122 °F)

A2 Improved: ±0.2 % FS over -40 to 80 °C (-40 to 176 °F)

For barometric ranges FS is the URL

Accuracy effects increase pro-rata for pressure ranges below 700 mbar

Temperature performance

Accuracy over the calibrated temperature range ±3 °C (6 °F) with 0.1 °C (0.2 °F) resolution

Long term stability

±0.05 % FS/year typical

±0.1 % FS/year maximum at reference conditions

±0.2 % maximum over five years at reference conditions is available by arrangement with the factory

Stability effects increase pro-rata for pressure ranges below 700 mbar

Physical specifications

Environmental protection

Up to IP68, see electrical connector section

Operating temperature range

-40 °C to 80 °C (-40 °F to 176 °F)

Pressure media

Fluids compatible with stainless steel 316L and Hastelloy C276 or titanium

Statement in accordance with the European pressure equipment directive

Enclosure materials

Stainless steel 316L or titanium (body), PVDF (nose cone), and cable sheath as specified

Pressure connectors

See the ordering information

Electrical connector

Option code	Description	IP rating
2	Raychem cable	IP65
3	Polyurethane depth cable	IP68
4	Hytrel depth cable	IP68

Note: Maximum cable length is 457 m (1500 ft).

Wiring details

Core color	Function
Black	Case
Red	+ VE Supply
Blue	- VE Supply
White	SDI-12 Data
Screen	Case

General certifications

RoHS 2011/65/EU

CRN Certified 0F18611.513467890YTN for pressure ranges up to and including 100 bar

CE conformity

Pressure equipment directive 2014/68/EU: sound engineering practice

EMC directive 2014/30/EU, AUS/NZ EMC compliant

BS EN 61326-1:2013

BS EN 61000-6-1: 2007

BS EN 61000-6-3: 2007 + A1:2011

Ordering information

1) Select part number

Main product Family

DPS Digital output transducer
5 5000 series

Diameter and material

0 25mm stainless steel
T 25mm titanium

Electrical connection

2 Raychem cable (See Note 1)
3 Polyurethane depth cable
4 Hytrel depth cable

Electronics option

E SDI-12 protocol

Compensated temperature range

TA -10 °C to +50 °C (See note 2)
TC -40 °C to +80 °C (See note 3)

Accuracy

A2 Improved
A3 Premium

Calibration

CC Full thermal

Hazardous area certification

H0 None

Pressure connector

- Stainless steel

PA G1/4 female
PB G1/4 male Flat
PC G1/4 male 60° Int cone
PD G1/8 male 60° Int cone
PE 1/4 NPT female
PF 1/4 NPT male
PG 1/8 NPT male
PH M20 x 1.5 male (3mm bore)
PJ M14 x 1.5 60° Int cone
PL 7/16-20 UNJF male 74° Ext
PN G1/2 male
PQ G1/2 quick connect
PR 1/2 NPT male
PV 7/16-20 UNF female
PW Depth cone (G1/4 female)
RV R1/4 male

- Titanium

PA G1/4 female
PB G1/4 male flat
PF 1/4 NPT male
PH M20 x 1.5 male (3mm bore)
PN G1/2 male
PR 1/2 NPT male
PW Depth cone (G1/4 female)
RJ M20 x 1.5 male (8mm bore)
RK M20 x 1.5 male (14mm bore)

Sensor output: can be selected in any order (see note 4)

- Level

L1 Meters
L2 Centimeters
L3 Feet

- Temperature

T1 Kelvin
T2 ° Celsius
T3 ° Fahrenheit

- Pressure

P Pressure (as specified)

- Voltage (Power Supply)

V Volts (as specified)

- No Output

N No output (see note 5)

DPS 5 0 2 E - TA - A3 - CC - HO - PA - * - * - * - *

* = Sensor output

2) Specify maximum working pressure unit and reference. Available units are:

Symbol	Description	Symbol	Description	Symbol	Description
bar	bar	kPa	Kilo Pascal	mmHg	millimeters mercury
mbar	millibar	mmH ₂ O	millimeters water	inHg	inches mercury
psi	pounds/square inch	mH ₂ O	meters water	kgf/cm ²	Kilograms force/centimeters square
Pa	Pascal	in H ₂ O	inches water	atm	atmosphere
hPa	hecto Pascal	ft H ₂ O	feet water	MPa	Mega Pascal

3) Specify cable length and units:

Integer values in m or ft (maximum length 457 m (1500 ft)).

Notes:

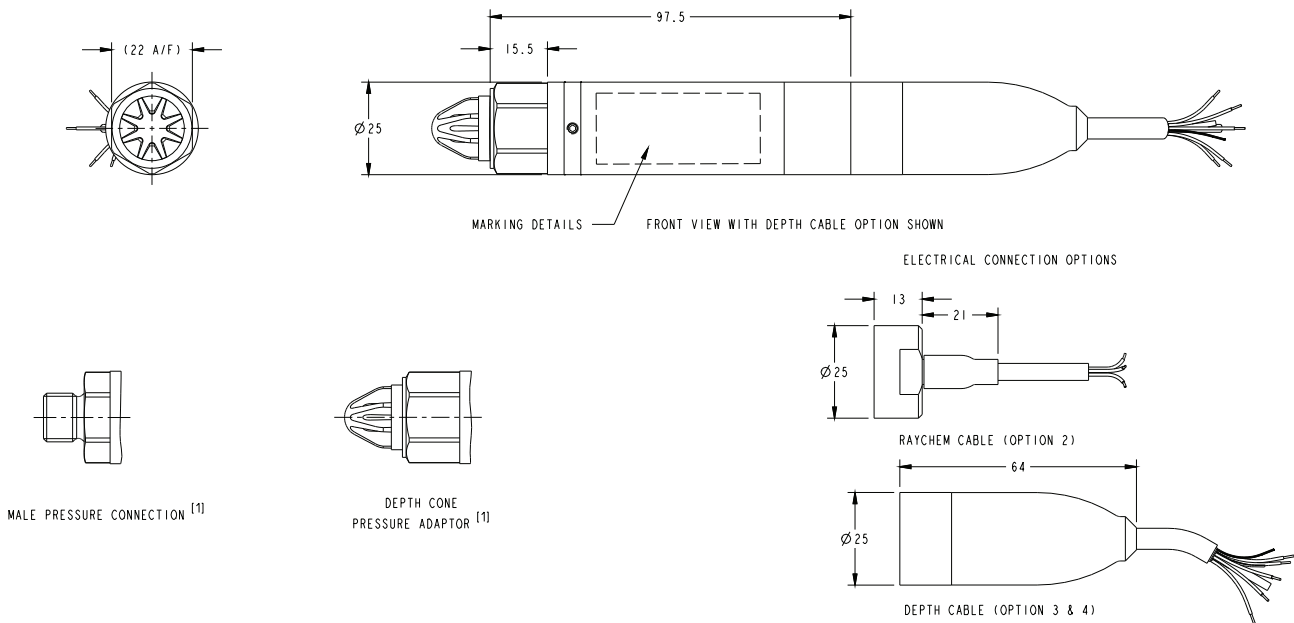
1. Not available with a titanium body.
2. Choose A3-Premium accuracy with this option.
3. Choose A2-Improved accuracy with this option.
4. Maximum of 4 outputs. Each output option can only be selected once.
5. Once No output (N) is selected, subsequent options default to N.

Typical order examples

DPS503E-TA-A3-CC-H0-PW-T2-L1-P-V 700 mbar gauge 10m cable

DPS5T4E-TC-A2-CC-H0-PA-L3-T3-N-N 10 bar absolute 10m cable

Mechanical drawings



Note: All dimensions in millimeters.