

GE  
Oil & Gas

# RPS/DPS 8000

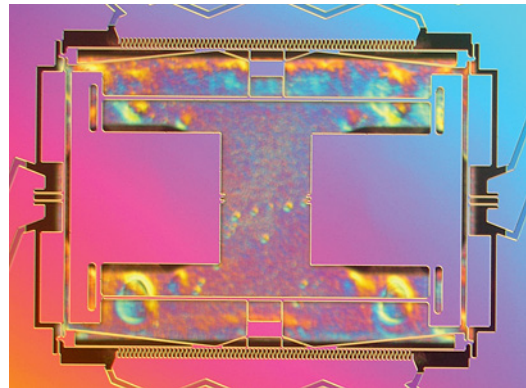
## High Accuracy Resonant Pressure Sensor

Since 1972, Druck has manufactured precision pressure sensors with a capability to meet critical applications in industrial, aerospace, oil and gas, and research environments. Today, Druck is part of GE Oil & Gas and has continually worked to develop and improve on the performance of our pressure sensors to meet our customers' requirements.

The RPS/DPS 8000 is the first product to incorporate the exciting new TERPS technology. TERPS is a resonant silicon pressure sensor technology platform that provides an order of magnitude greater accuracy and stability than current pressure measurement technologies available. The new TERPS technology also extends the pressure range capability to high pressures and, by incorporating true pressure media isolation, greatly improves its suitability for use in harsh environments.

In addition to providing the performance and packaging improvements available with TERPS, the RPS/DPS 8000 product line takes advantage of best practices to offer a wide range of pressure and electrical connections to enable a level of customization for your specific requirements never before available in the performance class of this sensor.

The combination of the power of the TERPS technology and the quality, reliability and flexibility of the RPS/DPS 8000 Series offers a truly unique solution for high accuracy and high stability pressure measurement requirements.



### Features:

- High Precision,  $\pm 0.01\%$  FS over compensated temperature range
- High Stability,  $\pm 100$  ppm FS/year
- Wide temperature range, up to  $-40^{\circ}\text{C}$  to  $+125^{\circ}\text{C}$  ( $-40^{\circ}$  to  $257^{\circ}\text{F}$ )
- Media isolated construction, suitable for use in harsh environments
- Multiple Output configurations, RS-232, RS-485, USB 2.0, CAN Bus, Frequency & Diode (TTL)
- Wide selection of pressure & electrical connections to suit specific requirements



# Specifications

## Measurement

### Base Pressure Ranges

- 0 to 2 bar (0 to 30 psi) absolute
- 0 to 7 bar (0 to 100 psi) absolute
- 0 to 14 bar (0 to 200 psi) absolute
- 0 to 20 bar (0 to 300 psi) absolute
- 0 to 35 bar (0 to 500 psi) absolute
- 0 to 70 bar (0 to 1000 psi) absolute

Note: Values in psi are approximate.

The base range selected is the next range up from the requested calibrated range. Units are converted to bar for selection; e.g., 30 psi = 2.07 bar. A 7 bar base pressure range will be selected.

### Calibrated Ranges

Any zero-based range between 1 and 70 bar (14.5 to 1000 psi) can be specified. (Performance will be of the full scale of the base pressure range selected.) Barometric ranges are available in the RPS/DPS 8100 series. The lowest calibrated pressure is 35 mbar absolute.

### Overpressure

1.5X FS

### Sensor Failure Pressure

2.0X FS

### Pressure Containment

- Ranges to 7 bar (100 psi), 70 bar (1,000 psi)
- Ranges to 70 bar (1,000 psi), 200 bar (3,000 psi)

### Supply and Output

Electronics Option	Supply Voltage (V DC)	Output	Current Consumption <sup>(2)</sup> (mA)
1	6 to 28	Frequency & Diode TTL <sup>(1,3,4)</sup>	3.5
A	7 to 28	RS485	16.5 quiescent, 32 max
B	9 to 28	RS232	16.5 quiescent, 32 max
C	7.5 to 30	CAN Bus	25 quiescent, 32 max
U	4.8 to 5.2	USB 2.0	40 quiescent, 100 max

1. Jitter less than 20 ns
2. Full temperature range
3. Square wave pressure signal, 25 kHz nominal, 4-10 kHz span
4. Forward voltage diode, 0.5 to 0.7 V @ 25°C (77°F), typically -2 mV/°C nominal

### Response Time

< 300 msec for pressure change from 10% to 90% FS

### Supply Response

TTL: Accurate to specification within 500 ms of power up, over all operating temperatures

RS232/RS485/CAN Bus/USB: Accurate to specification within 10 min of power-up

### Electrical Protection

RS232/485/CAN Bus/TTL: Connecting V<sub>supply</sub> and GND between any combinations of pins on the connector will not damage the unit

### Insulation

500 V DC

## Performance

There are two levels of performance specification: standard and Improved

Specifications include combined effects of non-linearity, hysteresis, repeatability and temperature errors over the compensated temperature range, and over the base pressure range of 35 mbar to the full scale pressure.

Accuracy Code	Precision
A1- Standard	0.02% FS
A2- Improved	0.01% FS

- For Frequency & Diode output, the above accuracies are achievable by using a polynomial curve fit algorithm and coefficient data supplied with sensor.
- Sensors are calibrated against standards traceable to UKAS operating to better than 100 ppm.

### Compensated Temperature Ranges:

There are four compensated temperature ranges available:

- 10 to +50°C
- 40 to +85°C
- 40 to +125°C (TTL and CAN bus only)
- 55 to 125°C (TTL and CAN bus only)

### Temperature Effects

All temperature effects are included in the accuracy statement.

### Long Term Stability

Standard: ±0.02% FS/annum

Improved: ±0.01% FS/annum

Note: Unless otherwise specified, specifications are at the reference conditions of 25°C (77°F) ±5°C (±9°F) and 1 bar (14 psi).

### Orientation (g) Sensitivity

Less than 0.2 mbar/g

## Physical Specifications

### Storage Temperature Range

As compensated temperature range.

### Operating Temperature Range

As compensated temperature range.

### Pressure Media

Fluids compatible with 316L stainless steel and Hastelloy C276

### Ingress Protection

See *Electrical Connector* section

### Vibration

BS EN 60068-2-6 (2008) Sine sweeps 5 Hz to 2 kHz, levels to 20g<sub>n</sub>

BS EN 60068-2-64 random 10 Hz to 2kHz to 4gn RMS for 1 hour each axis

Less than 0.02% FS effect at any time

### Shock

DO-160E 9 (Figure 7.2) 20 g<sub>n</sub> 11 ms terminal saw-tooth profile

### Humidity

MIL-STD-810D Method 507.2 Procedure III (Aggravated humidity environment, 65°C, 95% RH)

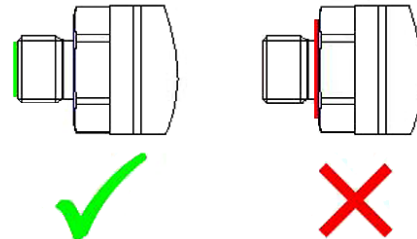
### Pressure Connector

Available Options are:

- G1/4 Female
- G1/4 Male Flat
- G1/4 Male 60° Internal Cone
- G1/8 Male 60° Internal Cone
- 1/4 NPT Female
- 1/4 NPT Male
- 1/8 NPT Male
- M20 x 1.5 Male (3mm bore)
- M14 x 1.5 60° Internal Cone
- M12 x 1 Internal Cone
- 7/16-20 UNF Male 74° External Cone
- G1/2 Male
- G1/4 Quick Connect
- 1/2 NPT Male
- G1/4 Male Flat Long
- 7/16-20 UNF Female
- Depth Cone (G1/4 Female)
- 7/16-20 UNF Male Short Flat
- 3/8-24 UNJF
- Other pressure connectors may be available. Contact GE to discuss your requirement.

Please ensure that only the intended sealing face is used when mounting the sensor. Failure to comply with this requirement may affect performance or calibration accuracy.

Male threaded pressure connectors must not be sealed or constrained against the face at the base of the thread. The forward cone or flat face should always be used, as indicated below.



### Electrical Connector

Code No.	Description	Max Operating Temp. Range		IP Rating
		°C	°F	
0	No Connector	-55 to +125	-67 to +257	-
1	Cable Gland	-40 to +80	-40 to +176	65
2	Raychem Cable	-55 to +125	-67 to +257	65
3	Polyurethane Depth	-40 to +80	-40 to +176	68
4	Hytrel Depth	-40 to +80	-40 to +176	68
6	Bayonet MIL-C-26482	-55 to +125	-67 to +257	*
C	1/2 NPT Conduit	-40 to +80	-40 to +176	67
G	M12 X 15-pin	-55 to +125	-67 to +267	*
H	PTFE Cable (Orange)	-55 to +125	-67 to +267	54
M	Micro USB socket	-40 to +85	-40 to +176	-

\* Hermetically sealed connectors with a maximum leak rate of  $1 \times 10^{-6}$  cc/s at 1 atmosphere. High IP rated mating connectors are available.

### Certifications

- CE Marked
- RoHS
- EMC Standards:

BS EN 61000-6-1: 2007, Susceptibility - Light Industrial  
BS EN 61000-6-2: 2005, Susceptibility - Heavy Industrial

BS EN 61000-6-3: 2007, Emissions - Light Industrial  
BS EN 61000-6-4: 2007, Emissions - Heavy Industrial  
BS EN 61326-1: 2013, Electrical Equipment for Measurement, Control and Laboratory Use - EMC requirements

BS EN 61326-2-3:2013 Requirements for pressure transducers

# Connection Details

Option	Code	Connection	Function			
			Frequency & Diode	Digital- RS485	Digital - RS232	Digital - CAN Bus
Flying Leads	0	RED	SUPPLY +VE	SUPPLY +VE	SUPPLY +VE	SUPPLY +VE
		YELLOW	FREQ	RS485 B	Rx	CAN Hi
		GREEN	+VE TEMP	RS485 A	Tx	CAN Lo
		BLUE	GROUND	GROUND	GROUND	SUPPLY -VE
		BLACK	-VE TEMP	-	-	CAN 0V
		ORANGE	EEPROM	-	-	-

Option	Code	Connection	Function			
			Frequency & Diode	Digital- RS485	Digital - RS232	Digital - CAN Bus
M12	G	1	SUPPLY +VE	SUPPLY +VE	SUPPLY +VE	N/C
		2	FREQ	RS485 B	Rx	SUPPLY +VE
		3	GROUND	GROUND	GROUND	SUPPLY -VE /CAN 0V
		4	+VE TEMP	RS485 A	Tx	CAN HI
		5	EEPROM	-	-	CAN LO

Option	Code	Connection	Function			
			Frequency & Diode	Digital- RS485	Digital - RS232	Digital - CAN Bus
CABLE	1, 3, 4, C	RED	SUPPLY +VE	SUPPLY +VE	SUPPLY +VE	SUPPLY +VE
		YELLOW	FREQ	RS485 B	Rx	CAN Hi
		BLUE	+VE TEMP	RS485 A	Tx	CAN Lo
		WHITE	GROUND	GROUND	GROUND	SUPPLY -VE
		BLACK	-VE TEMP	-	-	CAN 0V
		ORANGE	EEPROM	-	-	-
		SCREEN	-	-	-	-

Option	Code	Connection	Function			
			Frequency & Diode	Digital- RS485	Digital - RS232	Digital - CAN Bus
PTFE	H	RED	SUPPLY +VE	SUPPLY +VE	SUPPLY +VE	SUPPLY +VE
		YELLOW	FREQ	RS485 B	Rx	CAN Hi
		GREEN	+VE TEMP	RS485 A	Tx	CAN Lo
		BLUE	GROUND	GROUND	GROUND	SUPPLY -VE
		BLACK	EEPROM	-	-	-
		WHITE	-VE TEMP	-	-	CAN 0V
		SCREEN	CASE	CASE	CASE	CASE

Option	Code	Connection	Function			
			Frequency & Diode	Digital- RS485	Digital - RS232	Digital - CAN Bus
RAYCHEM	2	RED	SUPPLY +VE	SUPPLY +VE	SUPPLY +VE	SUPPLY +VE
		WHITE	FREQ	RS485 B	Rx	CAN Hi
		GREEN	+VE TEMP	RS485 A	Tx	CAN Lo
		BLUE	GROUND	GROUND	GROUND	SUPPLY -VE /CAN 0V
		BLACK	EEPROM	-	-	-
		SCREEN	-	-	-	-

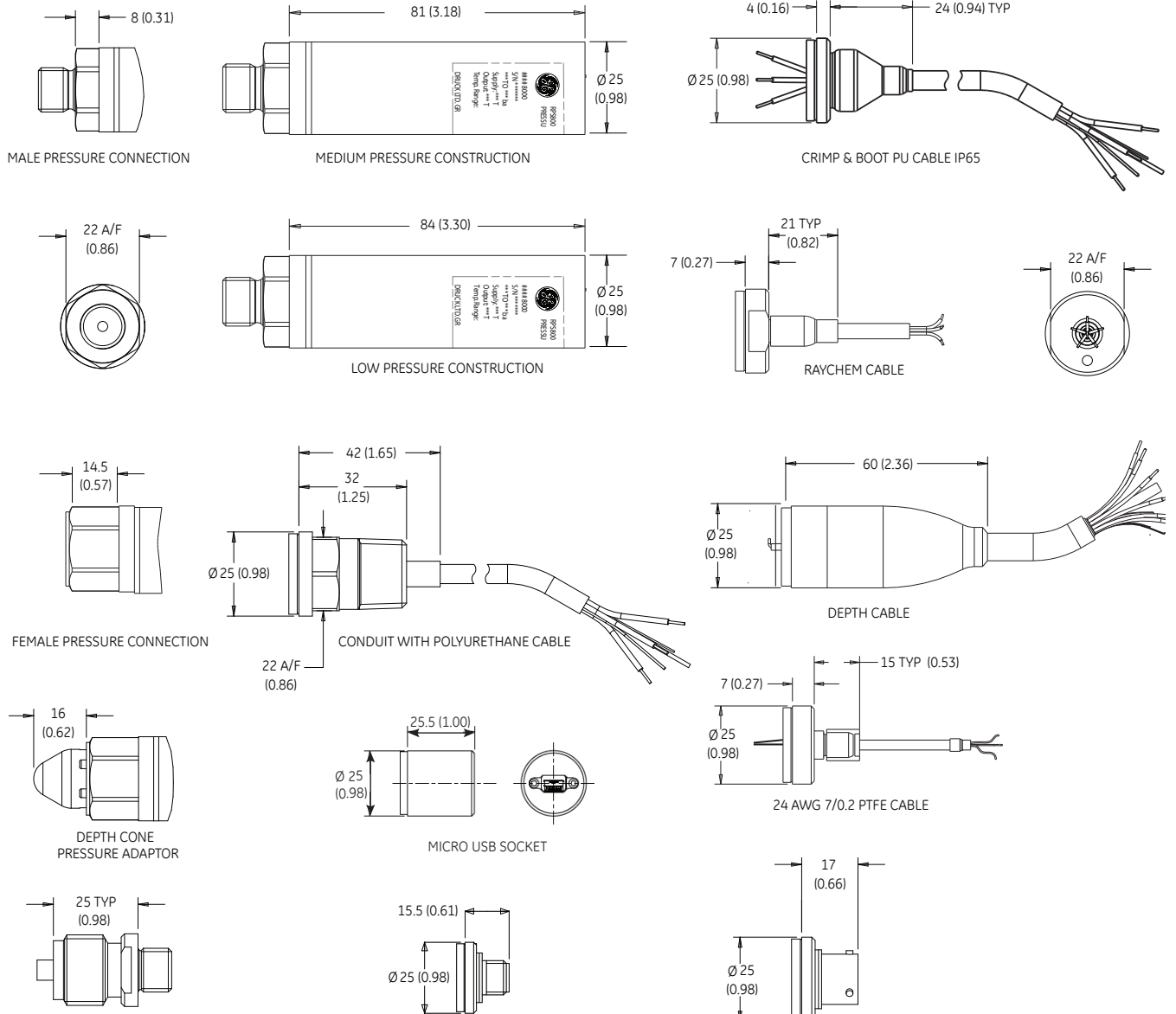
Option	Code	Connection	Function			
			Frequency & Diode	Digital- RS485	Digital - RS232	Digital - CAN Bus
Micro-USB	M	1	-	-	+5 V	-
		2	-	-	D-VE	-
		3	-	-	D+VE	-
		4	-	-	ID	-
		5	-	-	GROUND	-

Option	Code	Connection	Function			
			Frequency & Diode	Digital- RS485	Digital - RS232	Digital - CAN Bus
MIL-C	6	A	SUPPLY +VE	SUPPLY +VE	SUPPLY +VE	SUPPLY +VE
		B	FREQ	RS485 B	Rx	CAN Hi
		C	+VE TEMP	RS485 A	Tx	CAN Lo
		D	GROUND	GROUND	GROUND	SUPPLY -VE
		E	EEPROM	-	-	-
		F	-VE TEMP	-	-	CAN 0V

	Frequency & Diode	Digital- RS232	Digital - RS485	CAN Bus	USB*1
Maximum Cable length (m)	10	10	1000	1000	2

Note 1: Cable not provided with USB option.

# Dimensional Drawings



## Notes:

1. All dimensions are nominal lengths and are subject to change.
2. All dimensions are in millimeters (inches).
3. Other pressure and electrical connectors may be available, please contact GE.
4. Low Pressure < 7 bar (100 psi)
5. Medium Pressure > 7 bar (100 psi) and < 70 bar (1,000 psi)

# Ordering Information

## (1) Select model code

### Main Product Variant

**RPS** Resonant Pressure Sensor - Frequency & Diode Output (**Note 1**)

**DPS** Digital Pressure Sensor - Digital Output (**Note 1**)

#### Diameter, Material and Isolation

**80** 25mm Stainless Steel Oil isolated

#### Electrical Connector

- 0** No Electrical Connector (Flying leads)
- 1** Polyurethane Cable IP65
- 2** Raychem Cable
- 3** Polyurethane Cable (Depth) IP68
- 4** Hytrel Cable (Depth) IP68
- 6** MIL-C-26482 (6-pin Shell Size 10)
- C** 1/2" NPT Conduit with Polyurethane Cable (Non-Exd Only)
- G** M12x1 5-Pin
- H** Orange PTFE Cable
- M** Micro USB socket (**Note 4**)

#### Output Option (**Note 6**)

- 1** Frequency & Diode (TTL)
- A** RS485
- B** RS232
- C** CAN Bus
- U** USB 2.0 (**Note 5**)

#### Compensated Temperature Range

- TA** -10 to +50 °C
- TB** -40 to +85 °C (**Note 2**)
- TC** -40 to +125 °C (**Note 2 & 3**)
- TD** -55 to +125 °C (**Note 2 & 3**)

#### Accuracy

- A1 - Standard** 0.02%
- A2 - Improved** 0.01%

#### Calibration

**CC** Full Thermal Calibration

#### Hazardous Area Approval

**H0** None

#### Pressure Connector

- PA** G1/4 Female
- PB** G1/4 Male Flat
- PC** G1/4 Male 60° internal Cone
- PD** G1/8 Male 60° internal Cone
- PE** 1/4 NPT Female
- PF** 1/4 NPT Male
- PG** 1/8 NPT Male
- PH** M20x1.5
- PJ** M14x1.5 60° Internal Cone
- PK** M12x1 Internal Cone
- PL** 7/16-20 UNJF Male 74 degree external cone
- PN** G1/2 Male
- PQ** G1/4 Quick Connect
- PR** 1/2 NPT Male
- PT** G1/4 Male Flat Long
- PV** 7/16-20 UNF Female)
- PW** Depth Cone (G1/4 Female)
- PX** 7/16-20 UNF Male Flat
- PY** 3/8-24 UNJF
- RA** 1/4 VCR Female
- RF** 1/4 VCR Male

RPS 80 4 1 - TA - A2 - CC - H0 - PA [Typical Model Code]

**Note 1:** RPS variants require Output Option Code '1'. DPS variants require Output Option Code 'A', 'B', 'C' or 'U'.

**Note 2:** Pressure ranges 2 and 7 bar (30 and 100 psi) are not available at this temperature range.

**Note 3:** Requires Output Option Code '1' or 'C' and Electrical Connector Codes '0', '2', '6', 'G', or 'H'.

**Note 4:** Only available with USB output option.

**Note 5:** Only available with micro USB socket connector.

# Ordering Information (cont.)

## 2) State pressure range and units (e.g., 0 to 20 bar, 0 to 100 psi):

---

### Unit options are:

Symbol	Description
bar	bar
mbar	millibar
psi	pounds/sq. inch
Pa	Pascal
hPa	hectoPascal
kPa	kiloPascal
MPa	megaPascal
mmH <sub>2</sub> O	mm water
cmH <sub>2</sub> O	cm water
mH <sub>2</sub> O	metres water
inH <sub>2</sub> O	inches water
ftH <sub>2</sub> O	feet water
mmHg	mm mercury
inHg	inches mercury
kgf/cm <sup>2</sup>	kg force/sq. cm
atm	atmosphere
Torr	torr

## 3) State cable lengths and units e.g., 1 m cable, 3 ft cable (only required on certain electrical connectors):

**Note 6:** Maximum Cable length: (1) Frequency & Diode - 10 m, (A) RS485 - 1000 m, (B) RS232 - 10 m, (C) CAN Bus - 1000 m.

Integer values only, e.g. 1m (3 ft) cable. Minimum cable length is 1m (3 ft) if cable is supplied.

---

### Typical order examples:

RPS 8011-TA-A1-CC-H0-PA, 0-7 bara, 5 m cable

DPS 806A-TB-A2-CC-H0-PL, 0-1,000 psia

---



[www.gemeasurement.com](http://www.gemeasurement.com)

920-519H